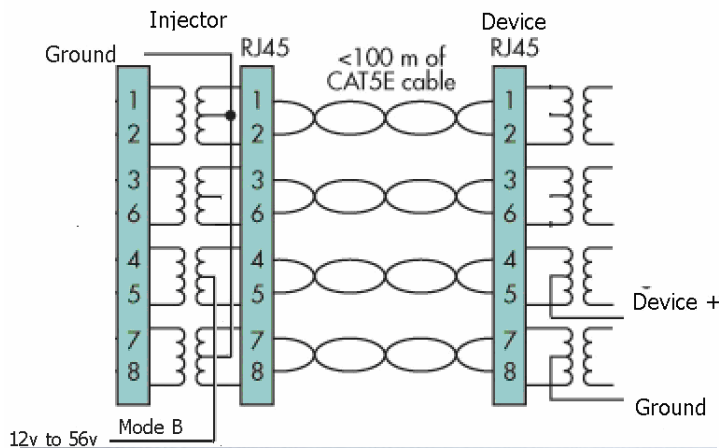




GPOE-1-IO Injector / Splitter for any PoE device

10/100/1000 Gigabit, use as PoE injector or PoE Splitter. External power supply, not included, from 12v to 56v, up to 56 watts.



- 1 Port Gigabit Ethernet
 - Injector or Splitter
 - 1 Shielded RJ-45 LAN
 - 1 Shielded RJ-45
- LAN+POE
 - 10/100/1000 data rates
- Size: 6 x 1.3 x .8 inches (150 mm x 29mm x 22mm)
- 1000 ma max current (not fused)
- Use with any Ethernet switch
 - PoE or non-PoE switches
- Standard power connector
 - 2.1mm x 5.5mm
- LED status indicator
- Operating Temperature
 - 0 to 65 deg C
- Mode B operation
 - pins 4-5 (+)
 - pins 7-8 (-)
 - reversing option – contact us
- Ideal for IP Cameras, VOIP phone, WiFi Access Points
- Technical support:
 - poe-world.com
- Select the power supply you need
 - 12 to 56 volts
- Power is always on
 - No auto-negotiation
 - Powers 802.3af / 802.3at devices “passively”

Device Spec	Mode B - DC Input RJ45 pins 45+ 78-	Note
802.3at	56 Volts	for up to 30 watts per port
802.3af or “12v, PoE”	48 volts	for up to 25 watts per port
Passive 24v	24 volts	Mikrotik, UBNT, OpenMesh, Tranzeo

